

■ Features :

- Universal AC input / Full range
- Built-in active PFC function , comply with EN61000-3-2 class C (>80% load)
- Protections: Short circuit / Over load / Over voltage / OVER TEMPERATURE
- Built-in constant current limiting circuit
- Suitable for LED lighting and moving sign applications
- UL1310 Class 2 power unit
- High Efficiency
- 100% full load burn-in test
- Fully enclosed plastic case

SPECIFICATION

RoHS

MODEL		HR25L-12	HR25L-04	HR25L-03	HR25L-24	HR25L-02	HR25L-36	HR25L-48	HR25L-01	
OUTPUT	DC VOLTAGE Note.1	12V	12.8V	17V	24V	25V	36V	48V	52V	
	CONSTANT CURRENT REGION Note.6	6 ~ 12V	6.4 ~ 12.8V	8.5 ~ 17V	12 ~ 24V	12.5 ~ 25V	18 ~ 36V	24 ~ 48V	25.5 ~ 51V	
	RATED CURRENT Note.5	1.50A	1.40A	1.05A	750mA	700mA	500mA	370mA	350mA	
	CURRENT RANGE Note.5	0 ~ 1.50A	0 ~ 1.40A	0 ~ 1.05A	0 ~ 750mA	0 ~ 700mA	0 ~ 500mA	0 ~ 370mA	0 ~ 350mA	
	RATED POWER Note.5	18.00W	17.92W	17.85W	18.00W	17.50W	18.00W	17.76W	18.20W	
	RIPPLE & NOISE (max.) Note.2	2.0Vp-p	2.0Vp-p	2.3Vp-p	2.5Vp-p	2.5Vp-p	3.5Vp-p	3.5Vp-p	3.5Vp-p	
	VOTAGE ADJ.RANGE Note.3	10.8~13.2V	11.6~14.0V	15.3~18.7V	21.6~26.4V	22.5~27.5V	32.4~39.6V	43.2~52.8V	46.8~57.2V	
	CURRENT TOLERANCE Note.3	±3.0%	±3.0%	±3.0%	±3.0%	±3.0%	±3.0%	±3.0%	±3.0%	
	LINE REGULATION	±3.0%	±3.0%	±3.0%	±3.0%	±3.0%	±3.0%	±3.0%	±3.0%	
	LOAD REGULATION	±5.0%	±5.0%	±5.0%	±5.0%	±5.0%	±5.0%	±5.0%	±5.0%	
	SETUP, RISE TIME	1000ms/230VAC 2000ms/115VAC at full load								
	HOLD UP TIME (Typ.)	60ms/230VAC 30ms/115VAC at full load								
INPUT	VOLTA GERANGE Note.4	100 ~ 240VAC		127 ~ 370VDC						
	FREQUENCY RANGE	47 ~ 63Hz								
	POWER FACTOR (Typ.)	PF ≥ 0.9at75~100% load,115 VAC/230VAC								
	EFFICIENCY (Typ.)	80.0%	80.0%	83.0%	84.0%	84.0%	85.0%	85.0%	85.0%	
	AC CURRENT (Typ.)	0.4A/115VAC		0.2A/230VAC						
	INRUSH CURRENT (Typ.)	40A/230VAC								
	LEAKAGE CURRENT (max.)	<0.5mA / 240VAC								
PROTECTION	OVER CURRENT	120 ~ 150%								
	OVER VOLTAGE	14 ~ 16V	15 ~ 17V	20 ~ 23V	27 ~ 34V	29 ~ 36V	40 ~ 50V	53 ~ 63V	57 ~ 67V	
	SHORT CIRCUIT	Hiccup mode , recovers automatically after fault condition is removed								
	OVER TEMPERATURE	IC:1Tj 140°C Protection type : Shut down o/p voltage, re-power on to recover								
ENVIRONMENT	WORKING TEMP.	-30 ~ + 60°C								
	WORKING HUMIDITY	20% ~ 95% RH non-condensing								
	STORAGE TEMP., HUMIDITY	-40 ~ +85°C , 5 ~ 95% RH								
	VIBRATION	10 ~ 500Hz, 2G 3AXES 10min./1cycle, period for 60min. each along X, Y, Z axes								
SAFETY & EMC	SAFETY STANDARDS	U L1310 Class 2, CAN/CSA C22.2 No. 223-M91 EN61347-1, EN61347-2-13								
	WITHSTAND VOLTAGE	I/P-O/P:2121VDC								
	ISOLATION RESISTANCE	I/P-O/P:100M Ohms								
	EMI CONDUCTION & RADIATION	Compliance to EN55015 class A								
	HARMONIC CURRENT	Compliance to EN61000-3-2 Class C (>70% load) ; EN61000-3-3								

Ningbo Jiangbei HWZ Electronic Co.,Ltd.

(Tel): 86-574-88165858 (Fax): 86-574-88165859 (P.C): 315032

<http://www.ehwz.com>

E-mail: jenny_hu@ehwz.com

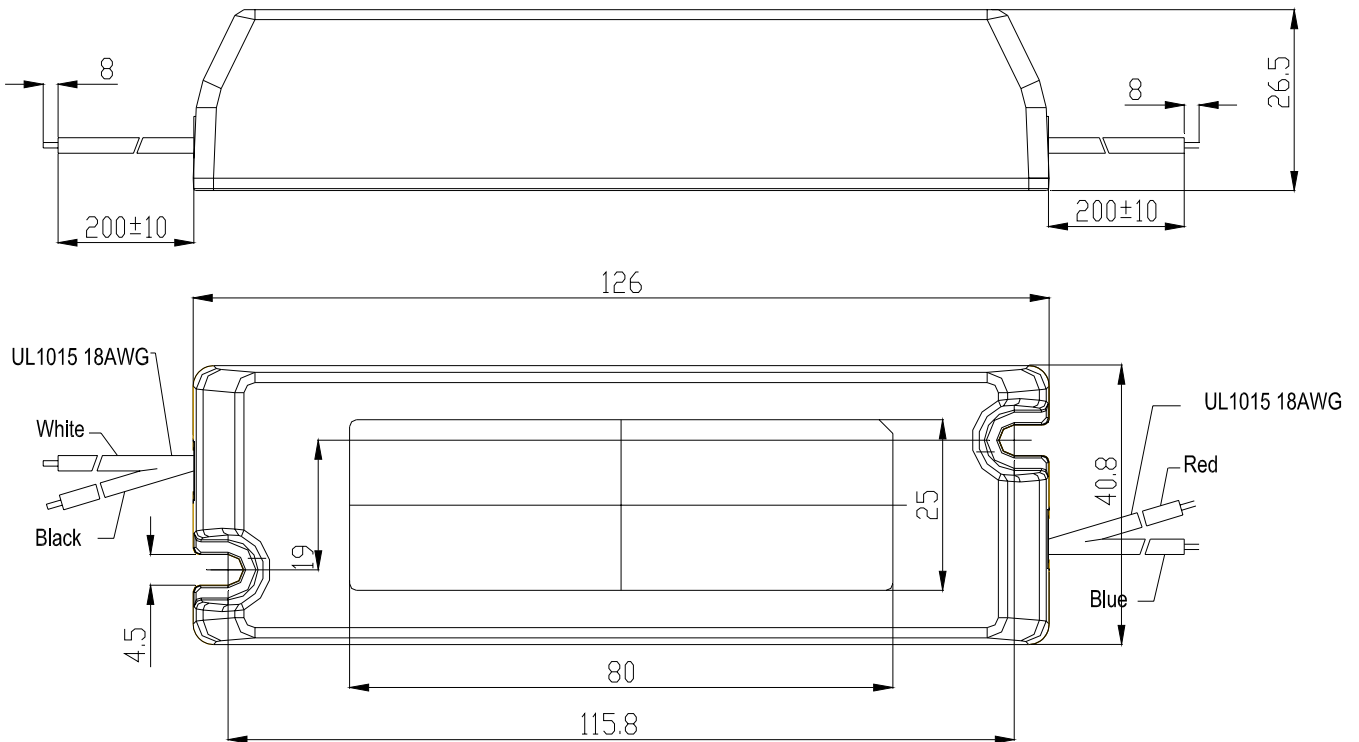
Address: No.560 South Kangzhuang Road,Jiangbei District, Ningbo City, ZheJiang China



HR25Lseries 25W For LED Light Switching Power Supply Class2 with PFC

	EMS IMMUNITY	Compliance to EN61000-4-2,3,4,5,6,8,11; ENV50204, EN61547, EN55024, light industry level, criteria A
	HARMONIC CURRENT	Compliance to EN61000-3-2,3
	MTBF	100000hrs min. MIL-HDBK-217F (25°C)
	DIMENSION	126*40.8*26.5mm (L*W*H)
	PACKING(Typ.)	250g;
NOTE	<ol style="list-style-type: none">1. All parameters NOT specially mentioned are measured at 230VAC input, rated load and 25°C of ambient temperature.2. Ripple & noise are measured at 20MHz of bandwidth by using a 12" twisted pair-wire terminated with a 0.1uf & 47uf parallel capacitor.3. Tolerance : includes set up tolerance, line regulation and load regulation.4. Derating may be needed under low input voltage. Please check the derating curve for more details.5. This is the maximum possible output current and power. Over load protection may be activated slightly below this level to comply with the requirement of UL1310 class 2.6. Constant current operation region is within 50% ~100% rated output voltage. This is the suitable operation region for LED related applications, but please reconfirm special electrical requirements for some specific system design.	

■ Mechanical Specification



Ningbo Jiangbei HWZ Electronic Co.,Ltd.

(Tel): 86-574-88165858 (Fax): 86-574-88165859 (P.C): 315032

<http://www.ehwz.com>

E-mail: jenny_hu@ehwz.com

Address: No.560 South Kangzhuang Road, Jiangbei District, Ningbo City, ZheJiang China