


**■ Features :**

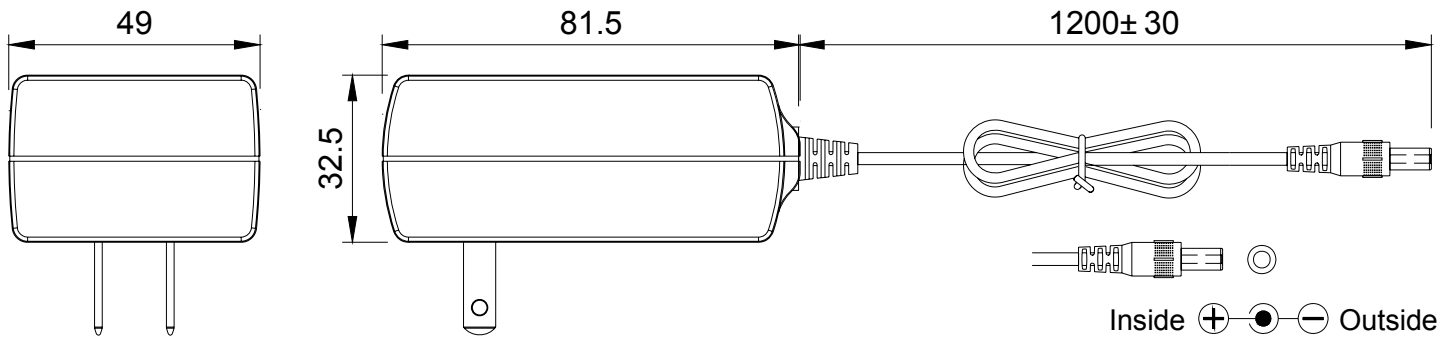
- Built-in switching power technology for worldwide 90 to 264V AC use
- No load power consumption<0.3W
- Fast-charge termination by 0ΔV&-ΔV
- Typical charging time: 4 hours
- Maximum output power: 18W
- Protections: Short circuit / Over load / Over voltage
- Constant current (CV, mode)
- Approvals:UL/FCC
- Fast charge: 750-2500mA
- Trickle charge: 25-50mA
- 2 year warranty


**SPECIFICATION**

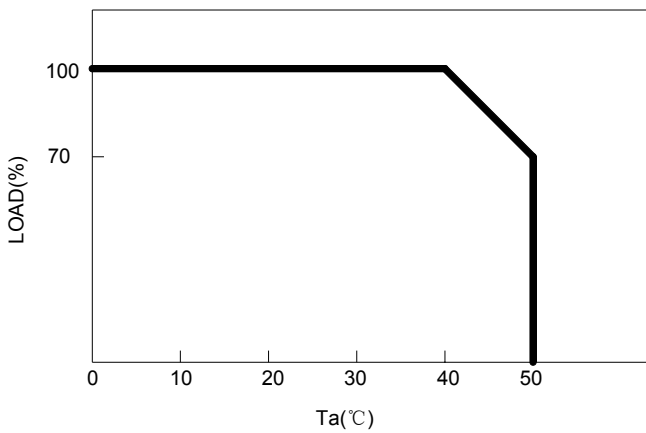
ORDER NO.		HR18NE03	HR18NE04	HR18NE05	HR18NE06	HR18NE07	HR18NE08	HR18NE09	HR18NE10	HR18NE11	HR18NE12	
OUTPUT	DC VOLTAGE Note.2	5V	9V	12V	15V	18V	24V	28V	35V	42V	48V	
	RATED CURRENT	2000mA	2000mA	1500mA	1200mA	1000mA	750mA	640mA	510mA	420mA	370mA	
	CURRENT RANGE	0~2000mA	0~2000mA	0~1500mA	0~1200mA	0~1000mA	0~750mA	0~640mA	0~510mA	0~420mA	0~370mA	
	RATED POWER	10W	18W	18W	18W	18W	18W	18W	18W	18W	18W	
	RIPPLE & NOISE (max.) Note.3	150mV	150mV	200mV	200mV	200mV	200mV	200mV	200mV	200mV	200mV	
	VOLTAGE ADJ. RANGE		4.2V~8V	9V~12V	12V~15V	15V~18V	18~21V	21~24V	25V~28V	29V~35V	35V~42V	42V~48V
			Fixed									
	VOLTAGE TOLERANCE Note.4	±5.0%	±5.0%	±5.0%	±5.0%	±5.0%	±5.0%	±5.0%	±5.0%	±5.0%	±5.0%	±5.0%
	LINE REGULATION Note.5	±1.0%	±1.0%	±1.0%	±1.0%	±1.0%	±1.0%	±1.0%	±1.0%	±1.0%	±1.0%	±1.0%
	LOAD REGULATION Note.6	±5.0%	±5.0%	±5.0%	±5.0%	±5.0%	±5.0%	±5.0%	±5.0%	±5.0%	±5.0%	±5.0%
LED INDICATOR	Red: charging Green: finish/Standby Red flash: Battery pack error											
SETUP, RISE, HOLD UP TIME	3000ms, 50ms, 16ms at full load											
INPUT	VOLTAGE RANGE	90 ~ 264VAC 135 ~ 370VDC										
	FREQUENCY RANGE	47 ~ 63Hz										
	EFFICIENCY (Typ.) Note.7	75%	78%	78%	80%	80%	80%	80%	80%	80%	82%	82%
	AC CURRENT	0.5A/100VAC										
	INRUSH CURRENT (Typ.)	50A/230VAC										
	LEAKAGE CURRENT (max.)	0.25mA / 240VAC										
PROTECTION	OVER LOAD	90 ~ 110% Constant current mode Protection type : Hiccup mode, recovers automatically after fault condition is removed										
	OVER VOLTAGE	135 ~ 180% rated output voltage Protection type : Clamp by PWM IC										
ENVIRONMENT	WORKING TEMP.	-10℃ ~ +40℃ (Refer to output load derating curve)										
	WORKING HUMIDITY	20% ~ 90% RH non-condensing										
	STORAGE TEMP., HUMIDITY	-20 ~ +85℃ , 10 ~ 95% RH										
	TEMP. COEFFICIENT	±0.03% /℃ (0 ~ 50℃)										
	VIBRATION	10 ~ 500Hz, 2G 10min./1cycle, period for 60min. each along X, Y, Z axes										
SAFETY & EMC (Note.8)	SAFETY STANDARDS	UL60950-1, CSA 22.2, EN60950-1 Approved										
	WITHSTAND VOLTAGE	I/P-O/P:3KVAC										
	ISOLATION RESISTANCE	I/P-O/P:100M Ohms / 500VDC / 25℃ / 70% RH										
	EMICONDUCTION& RIATION	Compliance to EN55022 class B, FCC PART 15 class B										
	HARMONIC CURRENT	Compliance to EN61000-3-2,3										
	EMS IMMUNITY	Compliance to EN61000-4-2,3,4,5,6,11, Light industry level, criteria A										
	DIMENSION	81.5*49*32.5mm (L*W*H)										
PACKING (Typ.)	120g											

CONNECTOR	PLUG	Standard type : 2.1Φ* 5.5Φ* 10.5mm, tuning fork type center positive for stock ; Other type available by customer requested
	CABLE	Standard type 22Awg UL2468 output only for stock ; Other type available by customer requested
NOTE	1.All parameters are specified at 230VAC input, rated load, 25℃ 70% RH ambient. 2.DC voltage: The output voltage set at point measure by plug terminal & 50% load. 3.Ripple & noise are measured at 20MHz by using a 12" twisted pair terminated with a 0.1uf & 47uf capacitor. 4.Tolerance: includes set up tolerance, line regulation, load regulation. 5.Line regulation is measured from low line to high line at rated load. 6.Load regulation is measured from 0% to 100% rated load 7.Efficiency is measured at 230VAC. 8.The power supply is considered a component which will be installed into a final equipment. The final equipment must be re-confirmed that it still meets EMC directives.	

### ■ Mechanical Specification



### ■ Derating Curve



### ■ Static Characteristics

