


■ Features :

- Universal AC input / Full range
- No load power consumption < 0.3W
- Pass energy star(CEC) level IV regulation
- Class II power (without earth pin)
- Constant current and voltage(CC,CV mode)
- 2 colors LED indicate for charging status
- Protections: Short circuit / Over load / Over voltage
- Fully enclosed plastic case
- Approvals:CE
- 2 year warranty


SPECIFICATION

ORDER NO.		HR18NE042	HR18NE084	HR18NE126	HR18NE168	HR18NE210	HR18NE252	HR18NE294	HR18NE336	HR18NE378	HR18NE420	
OUTPUT	DC VOLTAGE Note.2	4.2V	8.4V	12.6V	16.8V	21V	25.2V	29.4V	33.6V	37.8V	42V	
	RATED CURRENT	2000mA	2000mA	1500mA	1200mA	1000mA	750mA	640mA	510mA	420mA	370mA	
	CURRENT RANGE	0~ 2000mA	0 ~ 2000mA	0 ~ 1500mA	0 ~ 1200mA	0 ~ 1000mA	0 ~ 750mA	0~640mA	0~510mA	0~420mA	0~370mA	
	RATED POWER	10W	18W	18W	18W	18W	18W	18W	18W	18W	18W	
	RIPPLE & NOISE(max) Note.3	150mV	150mVp	200mVp	200mVp	200mVp	200mVp	200mVp	200mV	200mV	200mV	
	VOLTAGE ADJ. RANGE(V)	2.7-4.2	5.4-8.4	8.1-12.6	10.8-16.8	13.5-21	16.2-25.2	18.9-29.4	21.6-33.6	24.3-37.8	27-42	
		Fixed										
	VOLTAGE TOLERANCE Note.4	±5.0%	±5.0%	±5.0%	±5.0%	±5.0%	±5.0%	±5.0%	±5.0%	±5.0%	±5.0%	±5.0%
	LINE REGULATION Note.5	±1.0%	±1.0%	±1.0%	±1.0%	±1.0%	±1.0%	±1.0%	±1.0%	±1.0%	±1.0%	±1.0%
	LOAD REGULATION Note.6	±5.0%	±5.0%	±5.0%	±5.0%	±5.0%	±5.0%	±5.0%	±5.0%	±5.0%	±5.0%	±5.0%
LED INDICATOR	Green LED ON : <200mA Red LED ON : >500mA of charge current											
SETUP,RISE,HOLD UP TIME	3000ms, 50ms, 16ms at full load											
INPUT	VOLTAGE RANGE	90 ~ 264VAC 135 ~ 370VDC										
	FREQUENCY RANGE	47 ~ 63Hz										
	EFFICIENCY (Typ.) Note.7	75%	78%	78%	80%	80%	80%	80%	80%	82%	82%	
	AC CURRENT	0.5A/100VAC										
	INRUSH CURRENT (Typ.)	50A/230VAC										
	LEAKAGE CURRENT (max.)	0.25mA / 240VAC										
PROTECTION	OVER LOAD	90 ~ 110% Constant current mode Protection type : Hiccup mode, recovers automatically after fault condition is removed										
	OVER VOLTAGE	135 ~ 180% rated output voltage Protection type : Clamp by PWM IC										
ENVIRONMENT	WORKING TEMP.	0 ~ + 50 °C (Refer to output load derating curve)										
	WORKING HUMIDITY	20% ~ 90% RH non-condensing										
	STORAGE TEMP., HUMIDITY	-20 ~ +85 °C , 10 ~ 95% RH										
	TEMP. COEFFICIENT	±0.03% /°C (0 ~ 50 °C)										
	VIBRATION	10 ~ 500Hz, 2G 10min./1cycle, period for 60min. each along X, Y, Z axes										
SAFETY & EMC (Note.8)	SAFETY STANDARDS	UL60950-1, CSA 22.2, EN60950-1 Approved										
	WITHSTAND VOLTAGE	I/P-O/P:3KVAC										
	ISOLATION RESISTANCE	I/P-O/P:100M Ohms / 500VDC / 25 °C / 70% RH										
	EMICONDUCTION& RIATION	Compliance to EN55022 class B, FCC PART 15 class B										
	HARMONIC CURRENT	Compliance to EN61000-3-2,3										
EMM IMMUNITY	Compliance to EN61000-4-2,3,4,5,6,11, Light industry level, criteria A											
OTHERS	MTBF	50000hrs min. MIL-HDBK-217F (25 °C)										
	DIMENSION	81.5*49*32.5mm (L*W*H)										

Ningbo Jiangbei HWZ Electronic Co.,Ltd.

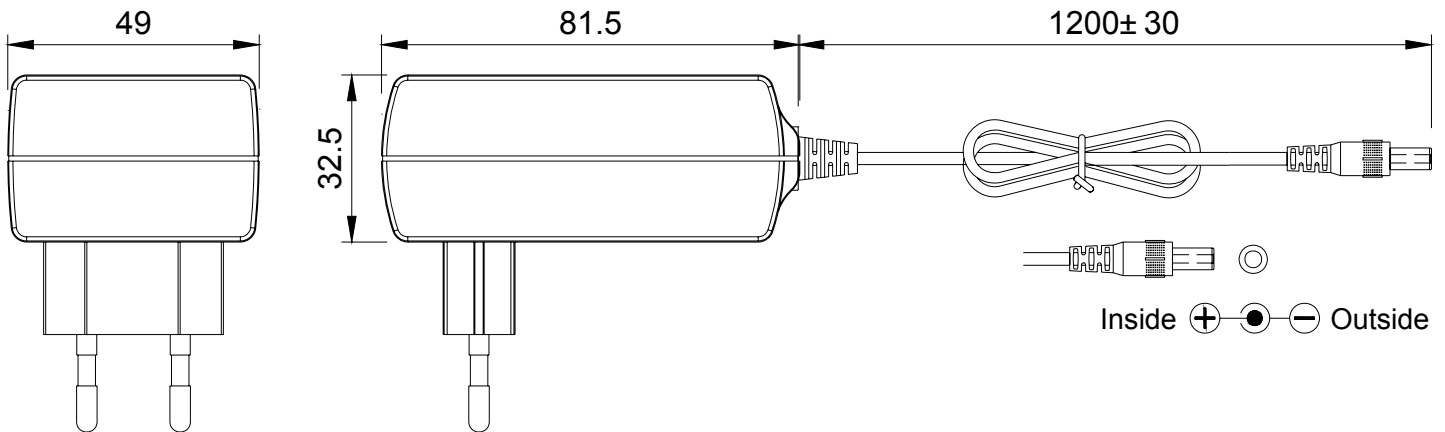
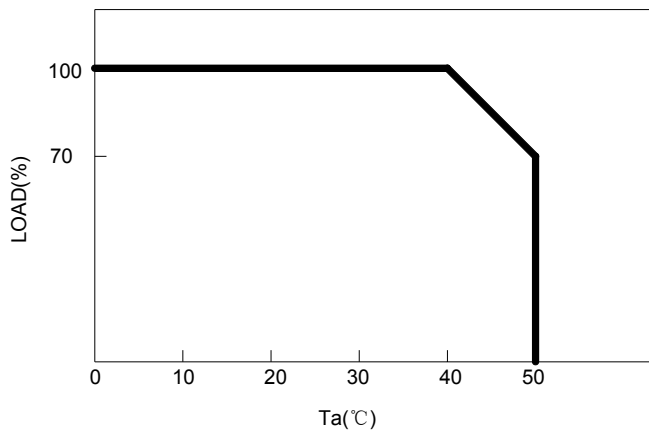
(Tel): 86-574-88165858 (Fax): 86-574-88165859 (P.C): 315032

<http://www.ehwz.com>

E-mail: jenny_hu@ehwz.com

Address: No.560 South Kangzhuang Road,Jiangbei District, Ningbo City, ZheJiang China

	PACKING (Typ.)	150g ;
CONNECTOR	PLUG	Standard type : 2.1Φ* 5.5Φ* 11mm, tuning fork type center positive for stock ; Other type available by customer requested
	CABLE	Standard type 18Awg UL1185 ,Other type available by customer requested
NOTE	1.All parameters are specified at 230VAC input, rated load, 25 to70% RH ambient. 2.DC voltage: The output voltage set at point measure by plug terminal & 50% load. 3.Ripple & noise are measured at 20MHz by using a 12" twisted pair terminated with a 0.1uf & 47uf capacitor. 4.Tolerance: includes set up tolerance, line regulation, load regulation. 5.Line regulation is measured from low line to high line at rated load. 6.Load regulation is measured from 0% to 100% rated load 7.Efficiency is measured at 230VAC. 8.The power supply is considered a component which will be installed into a final equipment. The final equipment must be re-confirmed that it still meets EMC directives.	

Mechanical Specification

Derating Curve

Static Characteristics
