



■ Features :

- Universal AC input / Full range
- No load power consumption < 0.3W
- Pass energy star(CEC) level IV regulation
- Class II power (without earth pin)
- Constant current and voltage(CC mode)
- Protections: Short circuit / Over load / Over voltage
- Fully enclosed plastic case
- Approvals:CE
- 2 year warranty



## SPECIFICATION

ORDER NO.		HR18NE03	HR18NE04	HR18NE05	HR18NE06	HR18NE07	HR18NE08	HR18NE09	HR18NE10	HR18NE11	HR18NE12	
OUTPUT	DC VOLTAGE <small>Note.2</small>	5V	9V	12V	15V	18V	24V	28V	35V	42V	48V	
	RATED CURRENT	2000mA	2000mA	1500mA	1200mA	1000mA	750mA	640mA	510mA	420mA	370mA	
	CURRENT RANGE	0~ 2000mA	0 ~ 2000mA	0 ~ 1500mA	0 ~ 1200mA	0 ~ 1000mA	0 ~ 750mA	0~640mA	0~510mA	0~420mA	0~370mA	
	RATED POWER	10W	18W	18W	18W	18W	18W	18W	18W	18W	18W	
	RIPPLE & NOISE(max.) <small>Note.3</small>	150mV	150mVp	200mVp	200mVp	200mVp	200mVp	200mVp	200mV	200mV	200mV	
	VOLTAGE ADJ. RANGE(V)	4.75-5.25	8.55-9.45	11.4-12.6	14.25-15.75	17.1-18.9	22.8-25.2	26.6-29.4	33.25-36.75	39.9-44.1	45.6-50.4	
		Fixed										
	VOLTAGE TOLERANCE <small>Note.4</small>	±5.0%	±5.0%	±5.0%	±5.0%	±5.0%	±5.0%	±5.0%	±5.0%	±5.0%	±5.0%	±5.0%
	LINE REGULATION <small>Note.5</small>	±1.0%	±1.0%	±1.0%	±1.0%	±1.0%	±1.0%	±1.0%	±1.0%	±1.0%	±1.0%	±1.0%
	LOAD REGULATION <small>Note.6</small>	±5.0%	±5.0%	±5.0%	±5.0%	±5.0%	±5.0%	±5.0%	±5.0%	±5.0%	±5.0%	±5.0%
LED INDICATOR	Green LED											
SETUP,RISE,HOLD UP TIME	3000ms, 50ms, 16ms at full load											
INPUT	VOLTAGE RANGE	90 ~ 264VAC    135 ~ 370VDC										
	FREQUENCY RANGE	47 ~ 63Hz										
	EFFICIENCY (Typ.) <small>Note.7</small>	75%	78%	78%	80%	80%	80%	80%	80%	82%	82%	
	AC CURRENT	0.5A/100VAC										
	INRUSH CURRENT (Typ.)	50A/230VAC										
	LEAKAGE CURRENT (max.)	0.25mA / 240VAC										
PROTECTION	OVER LOAD	90 ~ 110% Constant current mode Protection type : Hiccup mode, recovers automatically after fault condition is removed										
	OVER VOLTAGE	135 ~ 180% rated output voltage Protection type : Clamp by PWM IC										
ENVIRONMENT	WORKING TEMP.	0 ~ + 50℃ (Refer to output load derating curve)										
	WORKING HUMIDITY	20% ~ 90% RH non-condensing										
	STORAGE TEMP., HUMIDITY	-20 ~ +85℃ , 10 ~ 95% RH										
	TEMP. COEFFICIENT	±0.03% /℃ (0 ~ 50℃)										
	VIBRATION	10 ~ 500Hz, 2G 10min./1cycle, period for 60min. each along X, Y, Z axes										
SAFETY & EMC <small>(Note.8)</small>	SAFETY STANDARDS	UL60950-1, CSA 22.2, EN60950-1 Approved										
	WITHSTAND VOLTAGE	I/P-O/P:3KVAC										
	ISOLATION RESISTANCE	I/P-O/P:100M Ohms / 500VDC / 25℃ / 70% RH										
	EMICONDUCTION& RIATION	Compliance to EN55022 class B, FCC PART 15 class B										
	HARMONIC CURRENT	Compliance to EN61000-3-2,3										
EMS IMMUNITY	Compliance to EN61000-4-2,3,4,5,6,11, Light industry level, criteria A											
OTHERS	MTBF	50000hrs min. MIL-HDBK-217F (25℃ )										

Ningbo Jiangbei HWZ Electronic Co.,Ltd.

(Tel): 86-574-88165858 (Fax): 86-574-88165859 (P.C): 315032

<http://www.ehwz.com>

E-mail: jenny\_hu@ehwz.com

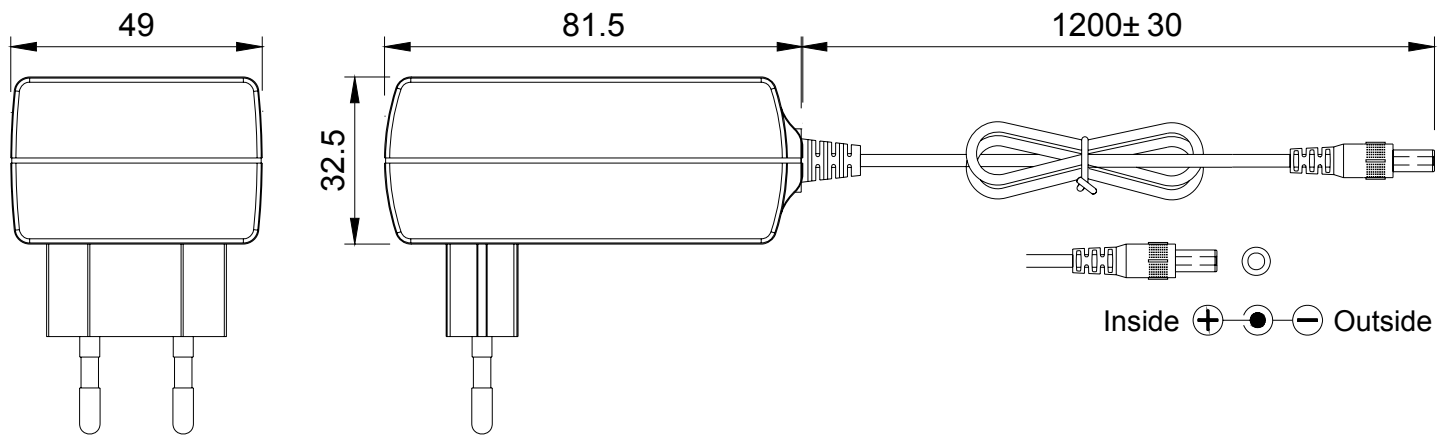
Address: No.560 South Kangzhuang Road,Jiangbei District, Ningbo City, ZheJiang China



# 18WAC-DC Wall-mounted type For Adapter **HR18NE series**

	DIMENSION	81.5*49*32.5mm (L*W*H)
	PACKING (Typ.)	150g ;
CONNECTOR	PLUG	Standard type : 2.1Φ* 5.5Φ* 11mm, tuning fork type center positive for stock ; Other type available by customer requested
	CABLE	Standard type 18Awg UL1185,Other type available by customer requested
NOTE	<p>1.All parameters are specified at 230VAC input, rated load, 25 to 70% RH ambient.</p> <p>2.DC voltage: The output voltage set at point measure by plug terminal &amp; 50% load.</p> <p>3.Ripple &amp; noise are measured at 20MHz by using a 12" twisted pair terminated with a 0.1uf &amp; 47uf capacitor.</p> <p>4.Tolerance: includes set up tolerance, line regulation, load regulation.</p> <p>5.Line regulation is measured from low line to high line at rated load.</p> <p>6.Load regulation is measured from 0% to 100% rated load</p> <p>7.Efficiency is measured at 230VAC.</p> <p>8.The power supply is considered a component which will be installed into a final equipment. The final equipment must be re-confirmed that it still meets EMC directives.</p>	

## ■ Mechanical Specification



Ningbo Jiangbei HWZ Electronic Co.,Ltd.

(Tel): 86-574-88165858 (Fax): 86-574-88165859 (P.C): 315032

<http://www.ehwz.com>

E-mail: [jenny\\_hu@ehwz.com](mailto:jenny_hu@ehwz.com)

Address: No.560 South Kangzhuang Road,Jiangbei District, Ningbo City, ZheJiang China