


■ Features :

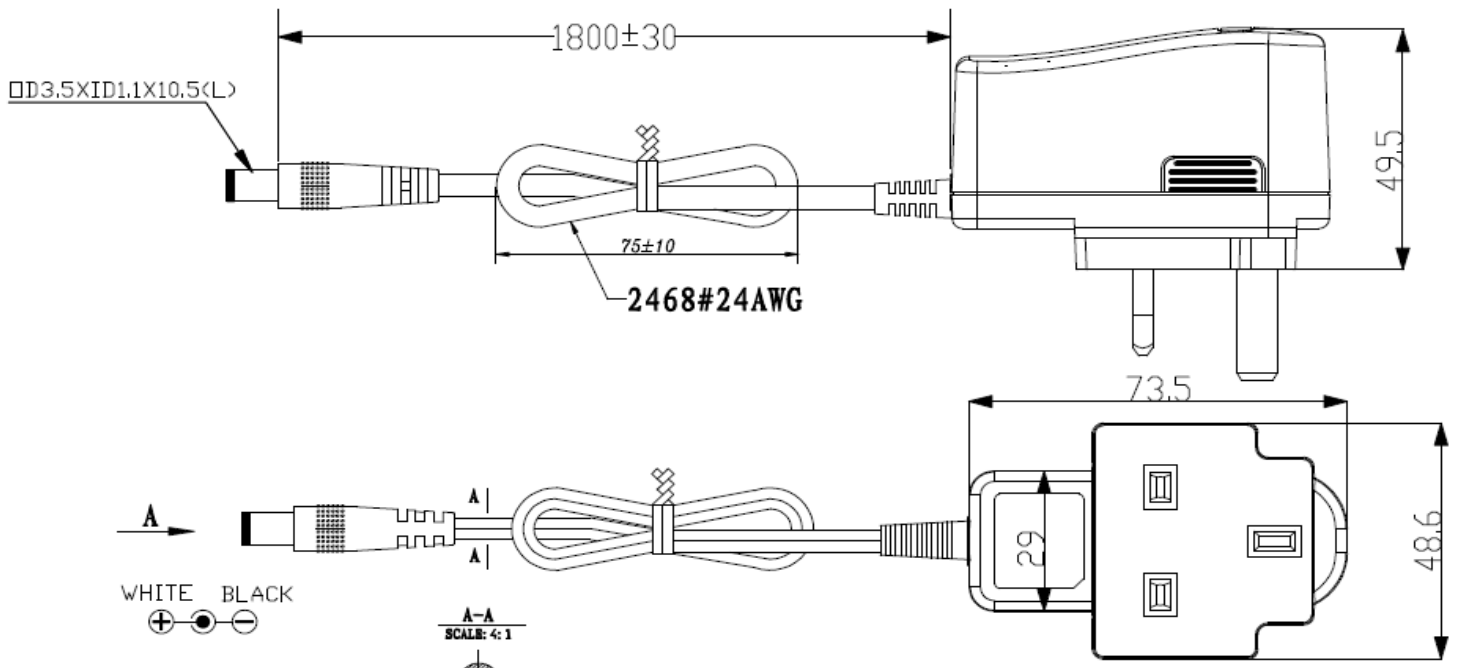
- Universal AC input / Full range
- No load power consumption < 0.4W
- Class II power (without earth pin)
- Constant current and voltage (CC, CV mode)
- 2 colors LED indicate for charging status
- Protections: Short circuit / Over load / Over voltage
- Fully enclosed plastic case
- Approvals: CB/CE
- 2 year warranty

CB CE
SPECIFICATION

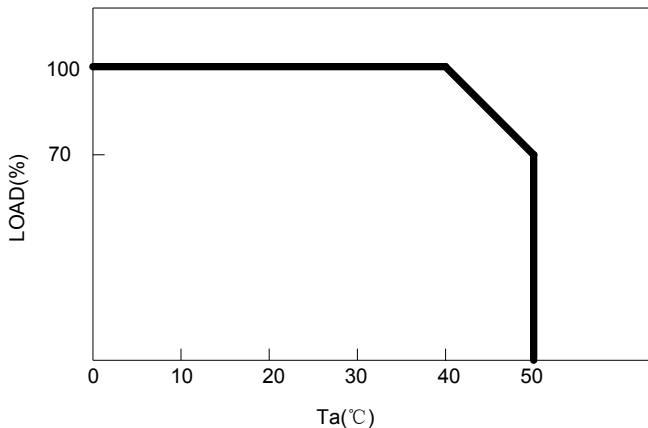
ORDER NO.		HR05NU042-100	HR05NU084-070	HR05NU126-047	HR05NU168-035	HR05NU210-028
OUTPUT	DC VOLTAGE Note.2	4.2V	8.4V	12.6V	16.8V	21V
	RATED CURRENT	1.0A	0.7A	0.47A	0.35A	0.28A
	CURRENT RANGE	0~1.0A	0~0.7A	0~0.47A	0~0.35A	0~0.28A
	RATED POWER	4.2W	6W	6W	6W	6W
	RIPPLE & NOISE (max.) Note.3	200mVp-p	200mVp-p	200mVp-p	240mVp-p	240mVp-p
	VOLTAGE ADJ. RANGE	2.7~4.2V	5.4~8.4V	8.1~12.6V	10.8~16.8V	13.5~21V
		Fixed				
	VOLTAGE TOLERANCE Note.4	±5.0%	±5.0%	±5.0%	±5.0%	±3.0%
	LINE REGULATION Note.5	±1.0%	±0.5%	±0.5%	±0.5%	±0.5%
	LED INDICATOR	Green LED ON : <90mA Red LED ON : >200mA of charge current				
SETUP, RISE, HOLD UP TIME	3000ms, 50ms, 16ms at full load					
INPUT	VOLTAGE RANGE	90 ~ 264VAC 135 ~ 370VDC				
	FREQUENCY RANGE	47 ~ 63Hz				
	EFFICIENCY (Typ.) Note.7	60%	60%	65%	65%	66%
	AC CURRENT	0.3A/100VAC				
	INRUSH CURRENT (Typ.)	50A/230VAC				
	LEAKAGE CURRENT (max.)	0.25mA / 240VAC				
PROTECTION	OVER LOAD	90 ~ 110% Constant current mode Protection type : Hiccup mode, recovers automatically after fault condition is removed				
	OVER VOLTAGE	135 ~ 180% rated output voltage Protection type : Clamp by PWM IC				
ENVIRONMENT	WORKING TEMP.	0 ~ + 40°C (Refer to output load derating curve)				
	WORKING HUMIDITY	20% ~ 90% RH non-condensing				
	STORAGE TEMP., HUMIDITY	-20 ~ +85°C , 10 ~ 95% RH				
	TEMP. COEFFICIENT	±0.03% /°C (0 ~ 50°C)				
	VIBRATION	10 ~ 500Hz, 2G 10min./1cycle, period for 60min. each along X, Y, Z axes				
SAFETY & EMC (Note.8)	SAFETY STANDARDS	UL60950-1, CSA 22.2, EN60950-1 Approved				
	WITHSTAND VOLTAGE	I/P-O/P:3KVAC				
	ISOLATION RESISTANCE	I/P-O/P:100M Ohms / 500VDC / 25°C / 70% RH				
	EMICONDUCTION & RIATION	Compliance to EN55022 class B, FCC PART 15 class B				
	HARMONIC CURRENT	Compliance to EN61000-3-2,3				
OTHERS	EMS IMMUNITY	Compliance to EN61000-4-2,3,4,5,6,11, Light industry level, criteria A				
	MTBF	50000hrs min. MIL-HDBK-217F (25°C)				
	DIMENSION	73.5*48.6*49.5mm (L*W*H)				

	PACKING (Typ.)	86.6g ;
CONNECTOR	PLUG	Standard type : 2.1Φ* 5.5Φ* 10mm, tuning fork type center positive for stock ; Other type available by customer requested
	CABLE	Standard type 24Awg UL2468 ,Other type available by customer requested
NOTE	<p>1.All parameters are specified at 230VAC input, rated load, 25 70% RH ambient. 2.DC voltage: The output voltage set at point measure by plug terminal & 50% load. 3.Ripple & noise are measured at 20MHz by using a 12" twisted pair terminated with a 0.1uf & 47uf capacitor. 4.Tolerance: includes set up tolerance, line regulation, load regulation. 5.Line regulation is measured from low line to high line at rated load. 6.Load regulation is measured from 0% to 100% rated load 7.Efficiency is measured at 230VAC. 8.The power supply is considered a component which will be installed into a final equipment. The final equipment must be re-confirmed that it still meets EMC directives.</p>	

■ Mechanical Specification



■ Derating Curve



■ Static Characteristics

